



State of West Virginia
Agency Request for Quote

Proc Folder: 1406017			Reason for Modification:
Doc Description: Huttonsville - Toilets & Sinks			
Proc Type: Agency Purchase Order			
Date Issued	Solicitation Closes	Solicitation No	Version
2024-04-02	2024-04-16 14:30	ARFQ 0608 DCR2400000109	1

BID RECEIVING LOCATION

VENDOR

Vendor Customer Code: 123154

Vendor Name: 043 HAJOCA CHARLESTON - HAJOCA CORP.

Address: 701 WASHINGTON ST WEST

Street:

City: CHARLESTON


State: WV Country: Zip: 25302

Principal Contact:

Vendor Contact Phone: 304-344-2556 Extension:

FOR INFORMATION CONTACT THE BUYER

James W Atkins
(304) 352-0219
james.w.atkins@wv.gov

Vendor Signature X 

FEIN# 23-2203401

DATE 4/8/24

All offers subject to all terms and conditions contained in this solicitation

ADDITIONAL INFORMATION

The West Virginia Department of Homeland Security - Division of Administrative Services is soliciting bids on behalf of the West Virginia Division of Corrections & Rehabilitation-Huttonsville Correctional Center at 109 HCC Blvd., Huttonsville, WV 26273 to establish a contract for the one-time purchase of Institutional Toilets and Bathroom Sinks

INVOICE TO		SHIP TO	
HUTTONSVILLE		HUTTONSVILLE	
CORRECTIONAL CENTER		CORRECTIONAL CENTER	
PO BOX 1		PO BOX 1	
RT 250 SOUTH		109 HCC BLVD	
HUTTONSVILLE	WV	HUTTONSVILLE	WV
US		US	

Line	Comm Ln Desc	Qty	Unit Issue	Unit Price	Total Price
1	Stainless Steel Toilets	20.00000	EA	825	16,500

Comm Code	Manufacturer	Specification	Model #
30181505	ACORN		3335

Extended Description:
Stainless Steel Toilets

INVOICE TO		SHIP TO	
HUTTONSVILLE		HUTTONSVILLE	
CORRECTIONAL CENTER		CORRECTIONAL CENTER	
PO BOX 1		PO BOX 1	
RT 250 SOUTH		109 HCC BLVD	
HUTTONSVILLE	WV	HUTTONSVILLE	WV
US		US	

Line	Comm Ln Desc	Qty	Unit Issue	Unit Price	Total Price
2	Stainless Steel 15" Compact Lavatory with Multi-sided Bowl	20.00000	EA	700	14,000

Comm Code	Manufacturer	Specification	Model #
30181504	ACORN		3325

Extended Description:
Stainless Steel 15" Compact Lavatory with Multi-sided Bowl

SCHEDULE OF EVENTS

Line	Event	Event Date
1	Vendor Questions Due 2:00pm EST	2024-04-09

	Document Phase	Document Description	Page
DCR2400000109	Final	Huttonsville - Toilets & Sinks	3

EXHIBIT A – Pricing Page
ARFQ DCR2400000109
Toilets and Sinks - Huttonsville Correctional Center

Section	Description	Make and Model if bidding an or Equal	Unit of Measure	Quantity	Unit Cost	Extended Cost
3.1.1	Stainless Steel Low Consumption Blowout jet Toilet or equal	ACORN 3335-W-2-FVT-HPS-FVBO-1.28	EA	20	\$ 825. ⁰⁰	\$ 16,500. ⁰⁰
3.1.2	Stainless 15" Acorn 3325 Compact Lavatory with multi-sided bowl or equal	ACORN 3325-1-BP-04	EA	20	\$ 700. ⁰⁰	\$ 14,000. ⁰⁰
SEE SO 33288915			Overall Total Cost		\$ 30,500. ⁰⁰	

Vendor must complete and return this Pricing Page.
 Any product or service not on the Agency provided Pricing Page will not be allowable. The State cannot accept an alternate Pricing Page, failure to use Exhibit A Pricing Page will lead to disqualification of vendor's bid. No future use of the Contract or any individual item is guaranteed or implied.
 Vendor should type or electronically enter the information into the Pricing Page to prevent errors in the evaluation.

BIDDER /VENDOR INFORMATION:

Vendor Name:	043 HAJOCA CHARLESTON (VENDOR # 123154) HAJOCA CORP.
Address:	701 WASHINGTON ST. WEST
City, St. Zip:	CHARLESTON WV 25302
Phone No.:	304-344-2556
Email Address:	PRF043@HAJOCA.COM

Vendor Signature: 

Date: 4/18/27

REQUEST FOR QUOTATION
ARFQ 0608 DCR2400000109
Toilets & Sinks – Huttonsville Correctional Center

Manager must be available during normal business hours to address any customer service or other issues related to this Contract.

Vendor should list its Contract Manager and his or her contact information below.

Contract Manager:	PAT PARZIALE - BRANCH MANAGER
Telephone Number:	304-344-2556
Fax Number:	304-343-4517
Email Address:	PRF043@HAJCOCA.COM

STATE OF WEST VIRGINIA
PURCHASING AFFIDAVIT

CONSTRUCTION CONTRACTS: Under W. Va. Code § 5-22-1(i), the contracting public entity shall not award a construction contract to any bidder that is known to be in default on any monetary obligation owed to the state or a political subdivision of the state, including, but not limited to, obligations related to payroll taxes, property taxes, sales and use taxes, fire service fees, or other fines or fees.

ALL CONTRACTS: Under W. Va. Code §15A-3-14, no contract or renewal of any contract may be awarded by the state or any of its political subdivisions to any vendor or prospective vendor when the vendor or prospective vendor or a related party to the vendor or prospective vendor is a debtor and: (1) the debt owed is an amount greater than one thousand dollars in the aggregate; or (2) the debtor is in employer default.

EXCEPTION: The prohibition listed above does not apply where a vendor has contested any tax administered pursuant to chapter eleven of the W. Va. Code, workers' compensation premium, permit fee or environmental fee or assessment and the matter has not become final or where the vendor has entered into a payment plan or agreement and the vendor is not in default of any of the provisions of such plan or agreement.

DEFINITIONS:

"Debt" means any assessment, premium, penalty, fine, tax or other amount of money owed to the state or any of its political subdivisions because of a judgment, fine, permit violation, license assessment, defaulted workers' compensation premium, penalty or other assessment presently delinquent or due and required to be paid to the state or any of its political subdivisions, including any interest or additional penalties accrued thereon.

"Employer default" means having an outstanding balance or liability to the old fund or to the uninsured employers' fund or being in policy default, as defined in W. Va. Code § 23-2c-2, failure to maintain mandatory workers' compensation coverage, or failure to fully meet its obligations as a workers' compensation self-insured employer. An employer is not in employer default if it has entered into a repayment agreement with the Insurance Commissioner and remains in compliance with the obligations under the repayment agreement.

"Related party" means a party, whether an individual, corporation, partnership, association, limited liability company or any other form or business association or other entity whatsoever, related to any vendor by blood, marriage, ownership or contract through which the party has a relationship of ownership or other interest with the vendor so that the party will actually or by effect receive or control a portion of the benefit, profit or other consideration from performance of a vendor contract with the party receiving an amount that meets or exceeds five percent of the total contract amount.

AFFIRMATION: By signing this form, the vendor's authorized signer affirms and acknowledges under penalty of law for false swearing (W. Va. Code §61-5-3) that: (1) for construction contracts, the vendor is not in default on any monetary obligation owed to the state or a political subdivision of the state, and (2) for all other contracts, that neither vendor nor any related party owe a debt as defined above and that neither vendor nor any related party are in employer default as defined above, unless the debt or employer default is permitted under the exception above.

WITNESS THE FOLLOWING SIGNATURE:

Vendor's Name: 043 HAJOCA CHARLESTON - HAJOCA CORP

Authorized Signature: [Signature] Date: 4-8-24

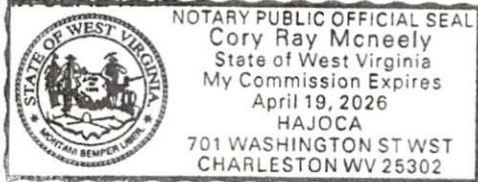
State of WEST VIRGINIA

County of KANAWHA, to-wit:

Taken, subscribed, and sworn to before me this 8 day of APRIL, 2024.

My Commission expires APRIL, 19th, 2026.

AFFIX SEAL HERE



NOTARY PUBLIC

[Signature]



Quotation (Reprint)

043 HAJOCA CHARLESTON
701 W WASHINGTON ST
CHARLESTON WV 25302-1803
304-344-2556 Fax 304-343-4517

QUOTE DATE	QUOTE NUMBER
04/08/24	S033288915
QUOTED BY:	PAGE NO.
043 HAJOCA CHARLESTON 701 W WASHINGTON ST CHARLESTON WV 25302-1803 304-344-2556 Fax 304-343-4517	1 of 1

Printed : 12:18:58 09 APR 2024

QUOTE TO:
 HUTTONSVILLE CORRECTIONAL CENTER
 PO BOX 1
 RT 250 SOUTH
 HUTTONSVILLE, WV 26273-0001

SHIP TO:
 HUTTONSVILLE CORRECTIONAL CENTER
 PO BOX 1
 RT 250 SOUTH
 HUTTONSVILLE, WV 26273-0001
 304-388-2684

QUOTED FOR	CUSTOMER PURCHASE ORDER NUMBER	CUSTOMER RELEASE NUMBER	SALESPERSON	
JAMES ATKINS	ARFQ DCR2400000109	WC & LAVS		
WRITER	SHIP VIA	TERMS	EXPIRATION DATE	FREIGHT ALLOWED
Pat Parziale	CC PPD & ALLOW	NET 30 DAYS	05/23/24	Yes

QUOTE QTY	OUR PART#	DESCRIPTION	Net Prc	Ext Prc
20ea	1815659	*ONE-TIME PURCHASE ORDER *ARFQ DCR2400000109 *HUTTONSVILLE *ORDER REQUIRES SIGNED APPROVAL OF SPEC SHEET, OPTIONS & DIMENSIONS * ACORN 3335-W-2 STAINLESS STEEL FLOOR MOUNT WALL OUTLET SKIRTED TOILET 3335-W-2-FVT-HPS-FVBO-1.28 8"BLOCK WALL AS PREVIOUSLY SUPPLIED *	825.000/ea	16500.00
20ea	2562721	ACORN 3325 SECURITY LAV 3325-1-BP-04 8" BLOCK WALL H&C NON-METERING TAXES NOT INCLUDED	700.000/ea	14000.00

Prices contained in this quote are the prices in effect at the time of quotation, and are subject to change at any time. We are not responsible for inaccurate quantity descriptions. Quantities should be checked against plans and specifications for accuracy. Special order material is non-cancellable. We are not responsible for delays not within our control.

Subtotal	30500.00
Bid Total	30500.00



Replace-Ware® 3334 Series Blowout Jet Toilet - On Floor Replacement



3335-W-2

Fixture May Show Some Available Options



Please visit www.acorneng.com for most current specifications.

Blowout Jet Toilet - On Floor Replacement

Blowout Jet Toilet is available for Front Mounting or Rear Mounting on a finished wall. Fixture is designed to replace a variety of existing toilets, including but not limited to the following manufacturers model numbers:

ALUMINUM PLUMBING FIXTURE CORP. (Super Secur): Smithson A-100, Smithson A-117.

AMERICAN STANDARD: Neolo 2529, Neolo 2530, Corbo 2516.

CRANE: Sanwalton 3-480, Sanwalton 3-481.

ELJER: Newark 111-0505, Newark 111-0515.

KOHLER: Anglesey K-4486-ET, Anglesey K-4498-ER.

Toilet Bowls are fabricated from 14 gage, type 304 stainless steel and are seamless welded construction. Wall flange is structurally reinforced. Exterior is satin finish, with an integral contoured toilet seat. The inside of the toilet bowl has a matte finish. There are no accessible voids or crevices where contraband can be concealed.

Toilet is blowout jet type with elongated bowl manufactured to ASME A112.19.3 and CSA B45.4 standards. Toilet requires a minimum of 25 PSI flow pressure and uses a minimum water consumption of 1.28 GPF. Trap has a minimum 3-1/2" seal and will pass a 2-1/8" ball. Toilet waste outlet is a gasketed waste.

GUIDE SPECIFICATION

Provide and install Acorn Replace-Ware Blowout Jet Toilet (specify model number and options). Toilet bowl shall be fabricated from 14 gage, type 304 stainless steel. Construction shall be seamless welded and exposed surfaces shall have a satin finish. Toilet shall be concealed blowout jet type with elongated bowl, a self-draining flushing rim and an integral contoured seat. Toilet shall be ASME A112.19.3 and CSA B45.4 compliant. Toilet requires a minimum of 25 PSI flow pressure and uses a minimum water consumption of 1.28 GPF. Toilet trap shall have a minimum 3-1/2" seal that shall pass a 2-1/8" diameter ball and be fully enclosed. No fasteners are provided.

Replace-Ware®: 3334 Blowout Jet Toilet - On Floor Replacement



WALL THICKNESS AND TYPE (Must Specify)

Thickness: 8" Type: Concrete Block Steel

MODEL NUMBER AND OPTIONS SELECTION:

BASE MODEL NUMBER

- 3334 Blowout Jet Toilet (Rear Mounted Replacement)
 -3335 Blowout Jet Toilet (Front Mounted Replacement)

SUPPLY (Must Specify)

- T Top (Exposed)
 -W Wall (Concealed)

FIXTURE MOUNTING AND WASTE

- 2 On-Floor, Wall Outlet

FLUSH VALVE GPFs (Must Specify)

- 1.28 GPF
 -1.6 GPF (Not Available in California)
 -3.5 GPF (Not Available in California)

FLUSH VALVE OPTIONS (Must Specify)

*NOTE: FOR FLUSH VALVE ACCESS PANEL OR COVER REFER TO ACORN OPTIONS MODEL #2898 (-W SUPPLY) OR # 2802 (-T SUPPLY).

- EVSFV Master-Trol® Electronic Flush Valve (N/A for Top Supply)
 -FV Flush Valve, Mechanical (N/A for ADA)
 -FVBO Flush Valve by Others
 -FVH Flush Valve, Hydraulic (N/A for Top Supply)
 -FVL Flush Valve, Lever Handle (Wall Supply)
 -MTPFV Master-Trol® PLUS Electronic Flush Valve (N/A for Top Supply)
 -MVCFV Time-Trol® Electronic Flush Valve (N/A for Top Supply)

TOILET SEAT OPTIONS

- HPS High Polish Integral Seat
 -HS-OFLC Hinged Seat, Open Front Less Cover
 -HS-OFWC Hinged Seat Open Front with Cover
 -PFS Punched for Seat by Others

TOILET OPTIONS

- 3395 Anchoring Assembly
 -BL Bedpan Lugs
 -CI Cycle Interrupt for Time-Trol Valves
 -CO1 Cleanout w/ O-Ring Connecting to No-Hub 4" (Plain End & Rear Mount Only)
 -CO1-3 Cleanout w/ O-Ring Connecting to No-Hub 3" (Plain End & Rear Mount Only, N/A with -WO3B)
 -COH Cleanout Hook Assembly (-PE & Rear Mount Only)
 -FT Flood-Trol**
 -FTA Flood-Trol Auto-Reset**
 -FTE Flood-Trol Electronic**

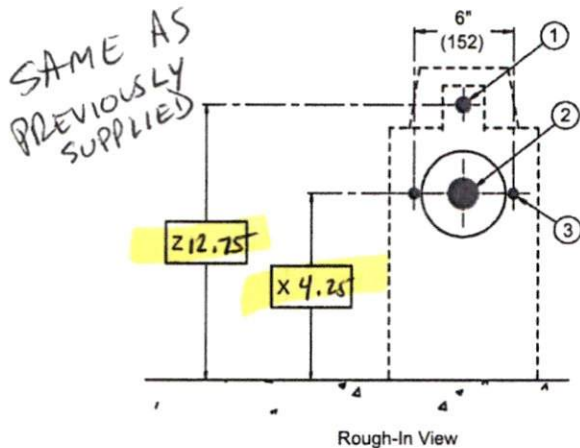
(NOTE: **Not available with Top Supply or 3335 Front Mount)

- FVT Flush Thru Wall Connector
 -PC Pinned Cleanout Plug (-PE & Rear Mount Only)
 -PE Plain End Waste (Only w/ Rear Mount)
 -SPS Ligature Resistant Skirt
 -TF Transformer, 120VAC to 24VAC (-MVCFV option)
 -TSC Toilet Shipping Cover
 -TWE Toilet Waste Extension (-PE & Rear Mount Only) Specify Length Beyond Fixture: _____

PRODUCT OPTIONS

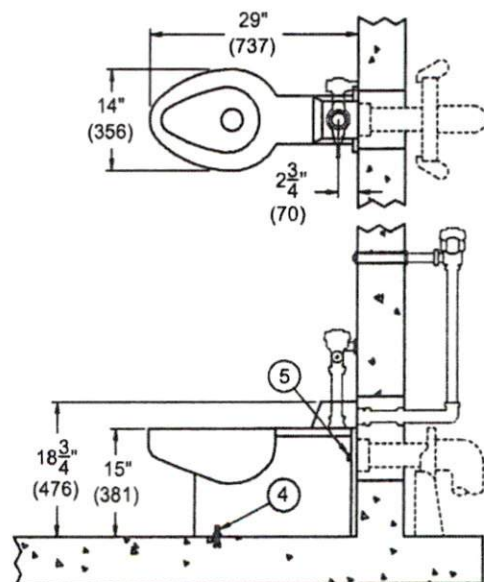
- ADA 18" Integral Seat Height
 -BCN Blind Cap Nuts
 -CN (2) Cap Nut (Front Mount Only)
 -EGE Enviro-Glaze Color Specify: _____ Toilet Exterior Only

Please visit www.acorneng.com for most current specifications.



NOTES:

1. Flushing Inlet
2. Toilet Waste Outlet
3. Gasket Waste Rear Mounting Points
4. Floor Fasteners
5. Wall Mounting Hardware by Others



3335-T/W-2

WARNING: Cancer and Reproductive Harm - www.P65Warnings.ca.gov

Important: Installation instructions and current rough-in are furnished with each fixture. Do not rough in without certified dimensions. Dimensions are subject to manufacturer's tolerance of plus or minus 1/4" and change without notice. Acorn assumes no responsibility for use of void or superseded data. © Copyright 2009 Acorn Engineering Company

<p style="text-align: center;">Selection Summary</p> <p>Model No. & Option <u>3335-W-2-FVT-HPS-FVBO</u></p> <p>Quantity _____</p>	<p style="text-align: center;">Approved for Manufacturing</p> <p>Company _____ Title _____</p> <p>Signature _____ Date _____</p>
---	--



Replace-Ware® 3325 Series

15" Compact Lavatory With Multi-Sided Bowl - Replacement



3325-1-BP-04

Fixture May Show Some Available Options

Please visit www.acorneng.com for most current specifications.

15" Compact Lavatory With Multi-Sided Bowl - Replacement

Acorn 3325 Compact Lavatory is designed to replace a variety of existing fixtures, including but not limited to, the following manufacturers model numbers:

ALUMINUM PLUMBING FIXTURE CORP. (Super Secur): Taylor A-50, Taylor M-50.

AMERICAN STANDARD: Prison 0420 & 0430.

CRANE: Parvus 1-600.

ELJER: Gowanda 051-3467.

KOHLER: Chardon K-2475.

Fixture is arranged to be installed on finished wall and serviced from an accessible pipe chase.

Fixture is fabricated from 14 gage, type 304 stainless steel and is seamless welded construction with a satin finish. Cabinet interior is sound-deadened with fire-resistant material. There are no accessible voids or crevices where contraband can be concealed.

Lavatory Multi-Sided Bowl is 12-3/4" x 8-1/4" x 5" deep. Standard elbow waste outlet is 1-1/4" NPT female.

Lavatory Valve when specified, is arranged to support the fixture through the wall and serviced from the chase. Valve is an Air-Control pneumatically operated, pushbutton valve using atmospheric air. Pushbutton is vandal-resistant and requires less than 5 pounds to activate valve. Valve is direct acting, non-metering type and is optionally available as metering with non-hold open feature. Metering valve timing is adjustable from 5 to 60 seconds. Valve includes a 0.5 GPM flow control and can be remotely located up to 10 feet from the operating pushbutton. Optional valve and bubbler when selected conform with lead-free requirements for NSF61, Section 9, 1997 CHSC 116875.

Regularly Furnished items include a fast drain, integral raised rib soap holder, and 1-1/4" elbow waste outlet.

GUIDE SPECIFICATION

Provide and install Acorn Replace-Ware 15" wide Compact Lavatory (specify model number and options). Fixture shall be fabricated from 14 gage, type 304 stainless steel. Construction shall be seamless welded and exposed surfaces shall have a satin finish. Countertop shall have an air-circulating raised rib soap holder. Cabinet interior is sound-deadened with fire-resistant material. No fasteners are provided.

Page 1 R.3325

Revised: 08/23/18

Replace-Ware®: 3325 15" Compact Lavatory With Multi-Sided Bowl - Replacement



WALL THICKNESS AND TYPE (Must Specify)

Thickness: 8" Type: Concrete Block Steel

MODEL NUMBER AND OPTIONS SELECTION:

BASE MODEL NUMBER

-3325 15" Compact Lavatory - Replacement

FIXTURE MOUNTING AND WASTE (Must Specify)

-1 Off-Floor, Wall Outlet

BUBBLER SELECTION (Must Specify)

- BC Bubbler, Code
- BP Bubbler, Penal
- BPH Bubbler, Hemispherical
- LF Lav-Filler

VALVE SELECTION (Must Specify)

- 03 Air-Control, Single Temp, Non-Metering
- 03-M Air-Control, Single Temp, Metering
- 04 Air-Control, H & C, Non-Metering
- 04-M Air-Control, H & C, Metering
- 9 Without Valves, Special Punching for: _____
- MA Manifolded Valve 2 3 4
- MH Metering, Hot Side Only

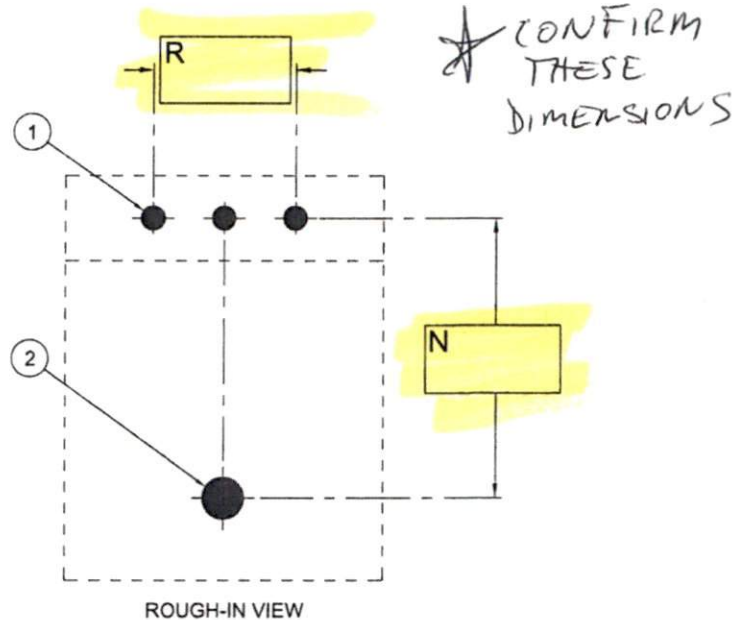
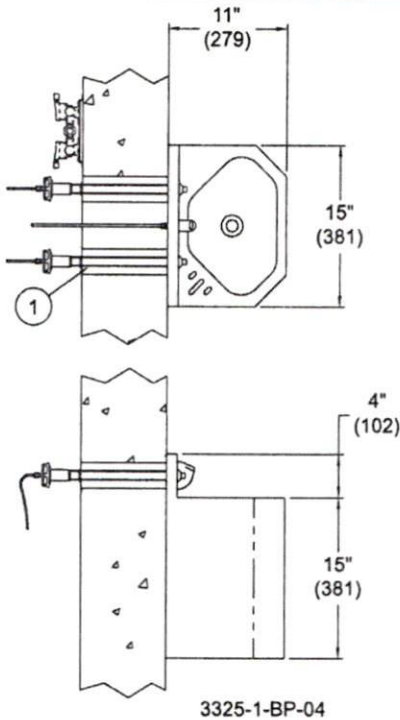
* These valves are modified to provide fixture support.

PRODUCT OPTIONS (Must Specify)

(See Penal-Ware® Model Numbers & Options Section)

- 3395 Anchoring Assembly
- BRS Brass Body Valve
- EG Enviro-Glaze, Specify Color: _____
- IS Integral Shelf
- OF Lavy Overflow
- OS 1 1/2" Lavy Waste Outlet
- PBH Hemispherical Pushbutton(s)
- PT P-Trap Waste
- TB Toothbrush Holder Left Right
- TH Towel Hook Single Double Left Right

Please visit www.acorneng.com for most current specifications.



NOTES:

1. "R" DIMENSION: VALVE PUSHBUTTON / PUSHROD CENTERS; PUSHROD ASSEMBLY ANCHORS TOP OF FIXTURE TO WALL.
2. "N" DIMENSION: LAVY WASTE OUTLET LOCATION. 9" MINIMUM FOR ELBOW WASTE OUTLET AND 8" MINIMUM FOR OPTIONAL -PT P-TRAP OUTLET. MUST SPECIFY.

WARNING: Cancer and Reproductive Harm - www.P65Warnings.ca.gov

Important: Installation instructions and current rough-in are furnished with each fixture. Do not rough in without certified dimensions.

Dimensions are subject to manufacturer's tolerance of plus or minus 1/4" and change without notice. Acorn assumes no responsibility for use of void or superseded data. © Copyright 2009 Acorn Engineering Company

<p style="text-align: center;">Selection Summary</p> <p>Model No. & Option _____</p> <p>Quantity _____</p>	<p style="text-align: center;">Approved for Manufacturing</p> <p>Company _____ Title _____</p> <p>Signature _____ Date _____</p>
---	---